



Product Specifications

Single color control card W60-75

V2.0 20170901

Overview

For the door header screen, store, car screen and other places information display, Huidu technology launched W series control card, Short distance; only for short distance communication, it can be accessed to the wireless router, to achieve cluster management.

W60-75 is a W-series control card, W means Wi-Fi, which updates programs by Wi-Fi. In addition, it has USB port, can also using the U disk to update the program. Low cost, cost-effective, simple software interface, easy to operate, better display information, supports variety kinds of single-color display.

Application software: Huidu technology sixth generation display operating software HD2016.

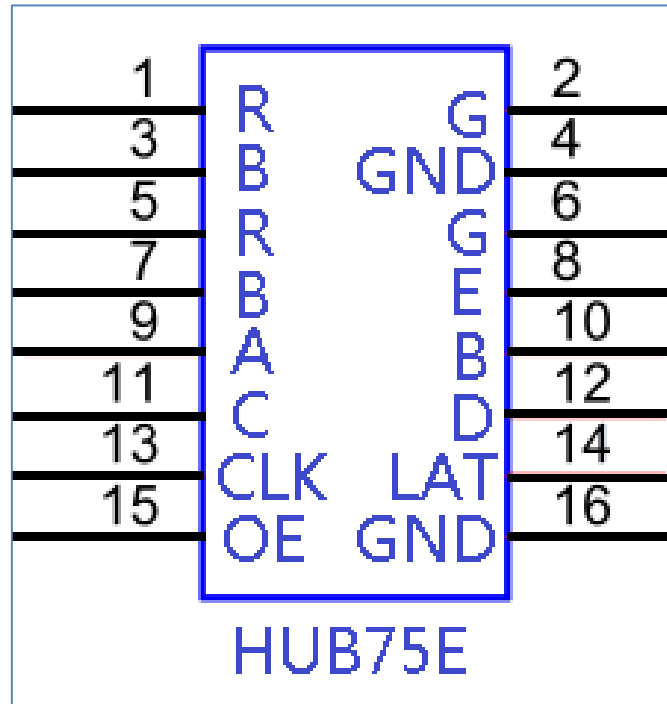
Features

Content	Performance
Support module	Single Color/ Dual Color /Tricolor conventional scanning methods
Control range	Full color: 640*64
FLASH Capacity	8M Byte
Communication Port	U-Disk、 Wi-Fi
Support Colorful	Full-color module can display red, green, blue, yellow,

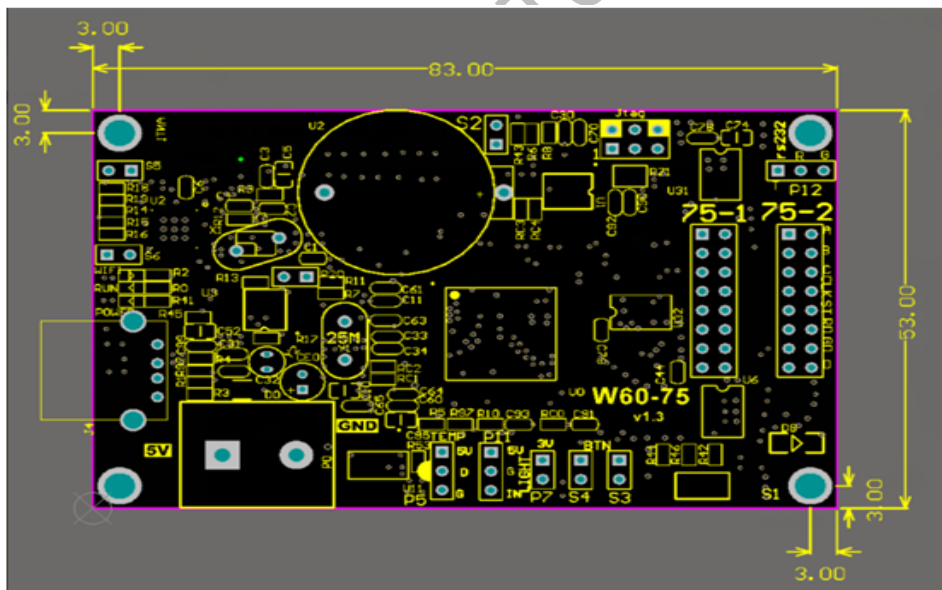
	purple, green, white
Program Quantity	Max 1000pcs Programs. Can play by time section or control by buttons.
Area Quantity	20 areas with separate zone, and separated special effects and border
Display Showing	Text、 Picture、 3DText、 Animation (SWF)、 Excel、 Timing 、 Temperatures (humidity)、 Count 、 Lunar calendar
Display	Sequence display, button switch, remote control
Display effect	<p>1、 Text、 Picture、 Time, Timing 、 Temperature or temperature and humidity (external module required)</p> <p>Display</p> <p>2、 Support program border, regional border settings, custom borders</p> <p>3、 A variety of action display</p> <p>4、 More than 40 kinds of text effects display</p> <p>5、 Support for simple animations word</p> <p>6、 Support outline fonts, stroke fonts and other settings</p>

	<p>7、 Support for regional text background settings</p> <p>8、 Support Excel form directly adding</p>
Clock function	<p>1、 Support Digital Clock/ Dial Clock / Lunar Time/</p> <p>2、 Countdown /Count up, Button Countdown / Count up</p> <p>3、 The font、 size、 color and position can be set freely</p> <p>4、 Support multiple time zones</p>
Extended Equipment	Temperatures、 Humidity、 IR Remoter、 Photosensitive sensors、 etc.
Automatic switch screen	Support timer switch machine
Dimming	Support three brightness adjustment mode

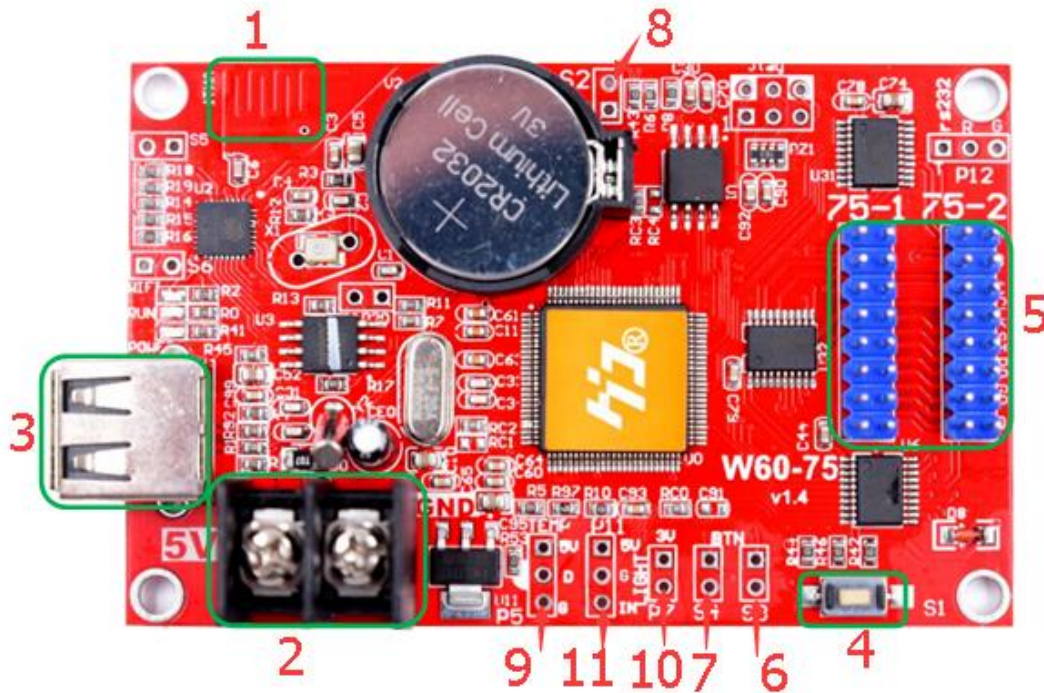
Port Definition



Setup Diagram



HD-W60-75 Photo



- ① : Connect the computer through Wi-Fi to send parameters and programs;
- ② : Power connector, connect 5V power supply;
- ③ : USB ports, Updated program by U-disk;
- ④ : Test button, click to switch screen test status;
- ⑤ : 2 HUB75E, connect the display;
- ⑥ : S3, Connect the point switch, switch the previous program, timer reset, count down;
- ⑦ : S4, Connect the point switch, program control, timing pause, count reset;
- ⑧ : S2, Connect the point switch, switch to the next program, the timer starts, count plus;

⑨: P5, Connect the temperature/humidity sensor;

⑩: P7, Connect the brightness sensor;

⑪: P11, Connect the IR, by remote control.

Technical Parameters

	Minimum	Typical value	Maximum
Rated voltage (V)	4.2	5.0	5.5
Storage temperature(°C)	-40	25	105
Work environment humidity (°C)	-40	25	80
Work environment humidity (%)	0.0	30	95

Precautions

- 1) To ensure that the control card is stored during normal operation, make sure the battery on the control card is not loose;
- 2) In order to ensure the long-term stable operation of the system; please try to use the standard 5V power supply voltage.