



Solution for 40-120mm medium  
depth light box and channel letter

**3 years warranty**



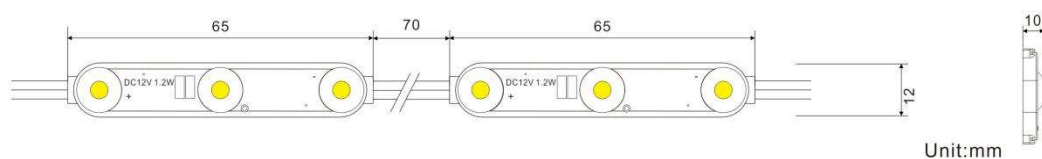
**ADM-6512-2835-3W-LBT**



## Features

- Powered by bright smd2835 led
- Injection molding process
- Aluminium base for good heat sinking
- 50pcs per series

## Dimensions

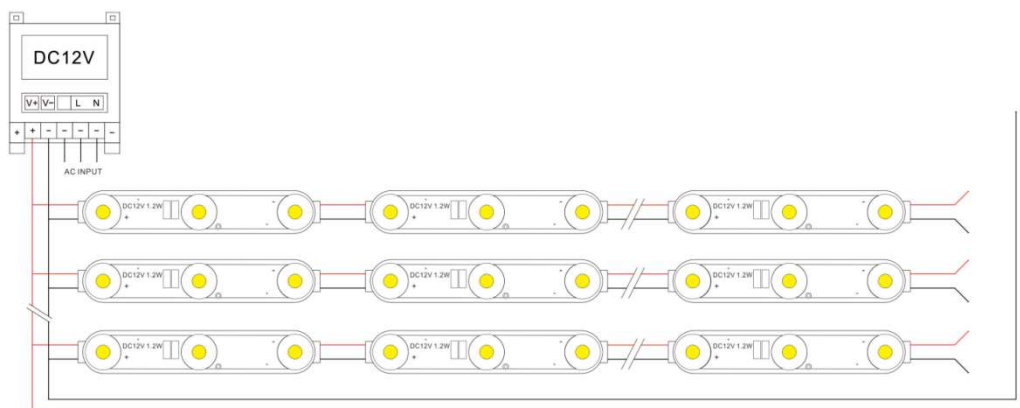


## Technical parameters

Item	Parameter	Unit
LED Type	LED 2835 SMD	--
LED Quantity	3	Leds
Power	1.2	W
Working Voltage	DC12	V
Working Current	100	mA
Luminous Flux	100	lm
Beam Angle	170	°
Driving mode	Constant Voltage	--
Dimension	65*12*10	mm
Color Temperature	6000-6500/9000-12000	K
Module's Center Dis.	70	mm
Concatenation	50	pcs
IP Rating	IP67	--
Working Temp.	-20~45	□
Certificates	CE,RoHS,UL	--



## Installation



A. Max. number of modules in one chain when the power supplied from single end -50pcs

B. Max. number of modules in one chain when the power supplied from both ends -100pcs

NOTE:

- Incorrect connection may cause short circuit and product failure
- Make sure power supply is unplugged during LED wires connection
- Power supply should be DC12V

## Applications

- Medium depth channel letters
- Medium depth light boxes
- Recommended depth 4-12cm



Add.: F5, Bldg A, Smart Innovation Centre, Hangcheng Industrial Zone, Bao'an District, Shenzhen, China  
TEL: +86-755-23359791 E-mail: info@adledlight.com Web: www.adledlight.com